

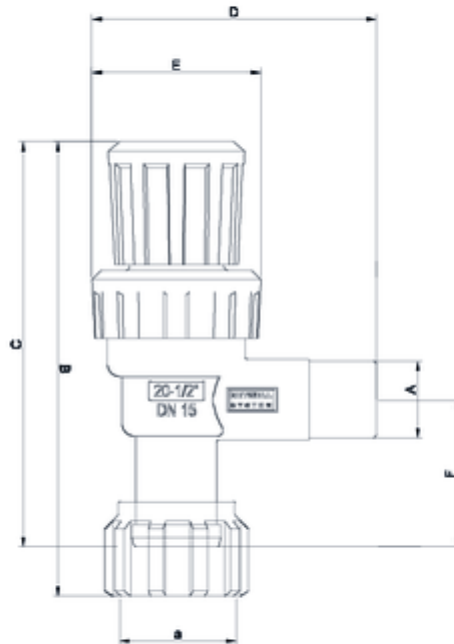


Angle seat valves and filters

Rotary control valve solvent socket outlet ITEM 968

Ref.	Description	Net W.	Vol. (m ³)	Gross W.	Batch
1021151	VÁLVULA REGULACIÓN TUERCA GIRATORIA ENC 20-3/4"	0.000	0.00437	0.00	10





ITEM 968 | Rotary control valve solvent socket outlet

CÓDIGO	D(tubo) A-a	DN	Peso (g)	B	C	D	E	F	PN	TIPO ROSCA
21151	20-3/4"	15	136	118	105	73	43	38	PN16	BSP



PRODUCT DOCUMENTS



PRODUCT CERTIFICATES

COMPANY CERTIFICATES

